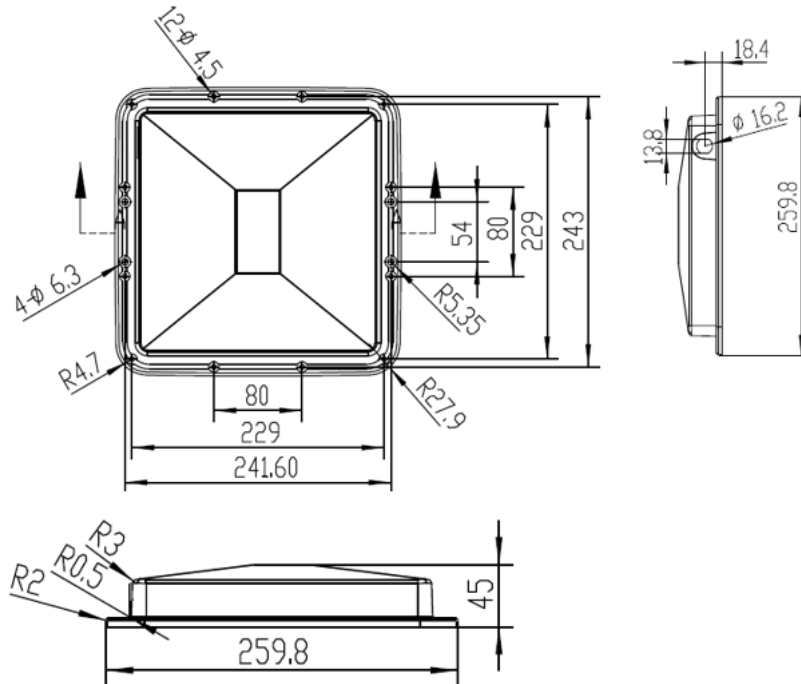


## RFID UHF Antenna Data Sheet

<b>Operating Frequency</b>	860~960MHz Full Frequencies
<b>Impedance</b>	50Ω
<b>VSWR</b>	≤ 1.5
<b>Gain</b>	10 dBic
<b>Polarization</b>	Right Hand, Circular
<b>Radiation Pattern</b>	Directional
<b>Beam Width</b>	70°±5°@E-plane , 70°±5°@H-plane
<b>Operating temperature</b>	-20°C ~ 65°C
<b>Connector</b>	N Jack
<b>Dimensions</b>	259.8x259.8x45mm
<b>Water Proof</b>	IP65
<b>Radome Material</b>	PP
<b>Vibration Test</b>	IEC61373:2010 Category 1_Class A
<b>Weight</b>	820g



## Antenna Drawing



## Return Loss

