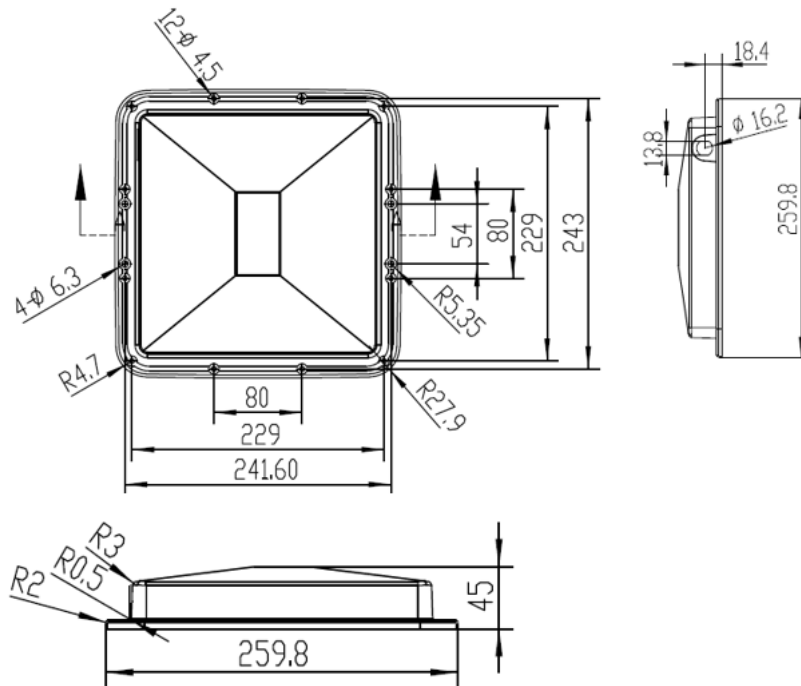


RFID UHF Antenna Data Sheet

Operating Frequency	902~928MHz
Impedance	50Ω
VSWR	≤2.0
Gain	10 dBic
Polarization	Right Hand, Circular
Radiation Pattern	Directional
Beam Width	68° ±5° @E-plane , 64° ±5° @H-plane
Operating temperature	-20°C ~ 65°C
Connector	N Jack
Dimensions	259.8x259.8x45mm
Water Proof	IP65
Radome Material	PP
Vibration Test	IEC61373:2010 Category 1_Class A
Weight	820g



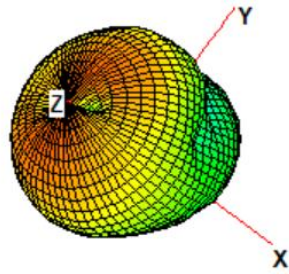
Antenna Drawing



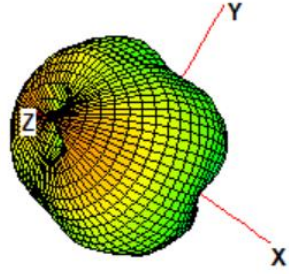
V.S.W.R / Return Loss



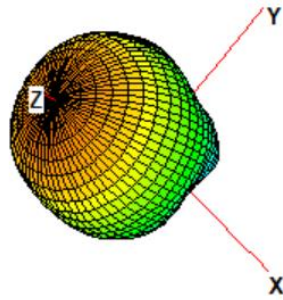
3D Pattern



THeta



PHi



Total