



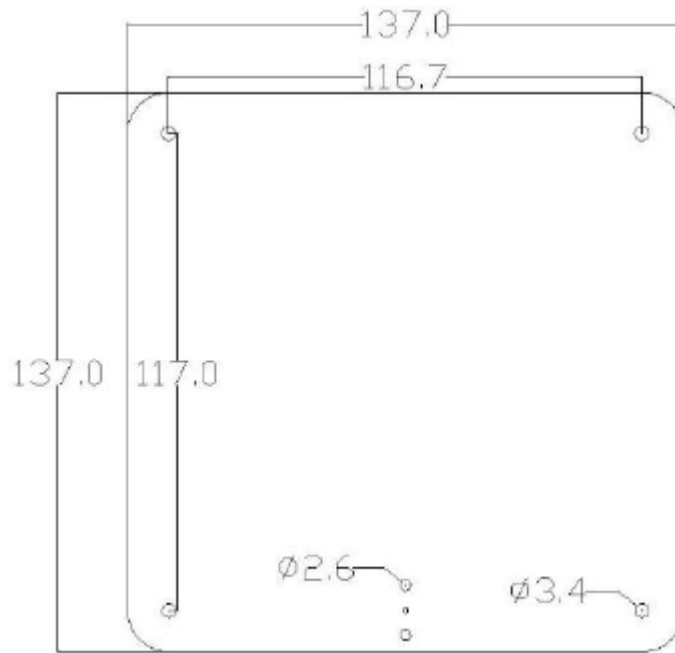
RFID UHF Antenna Data Sheet

Operating Frequency	902~928MHz
Antenna Type	Patch
Directivity Gain	6dBi±0.5dBi
Return Loss	-12 dB,minimum
Impedance	50Ω
Beam Width(-3dB)	XZ±45°, YZ±45°
Polarization	Circular Polarization
Connector	SMA Female
Dimensions	137x137x3.2mm
Weight	140g±5g
The front material	FR4
Mounting	Universal bracket
Operating temperature	-20°C ~ 85°C
Storage temperature	-40°C ~ 85°C

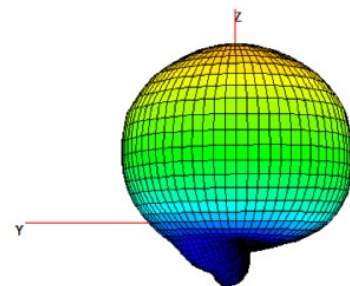
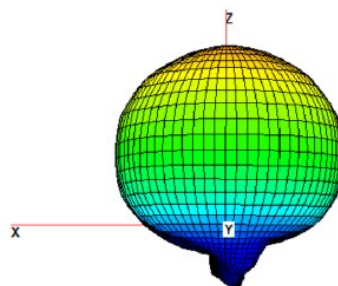
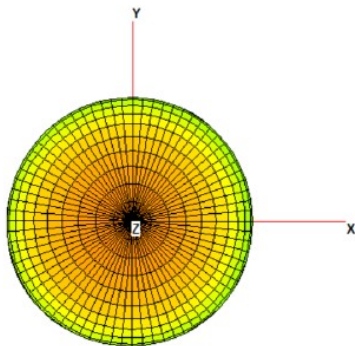
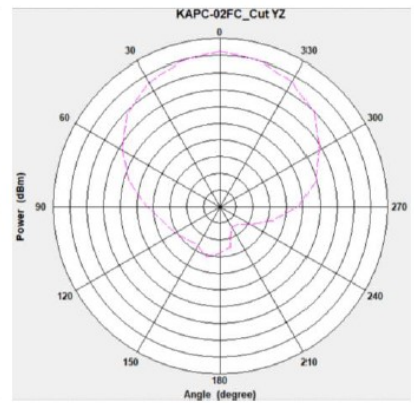
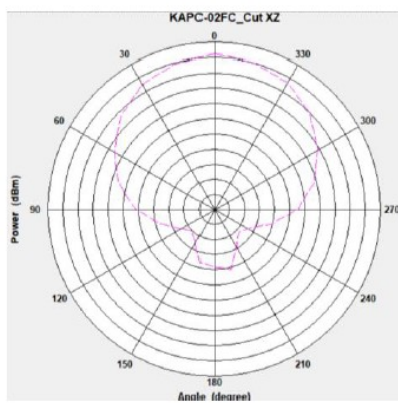
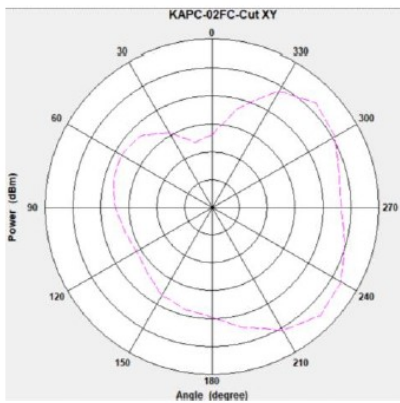




Antenna Drawing



Radiation Pattern





Return Loss

