



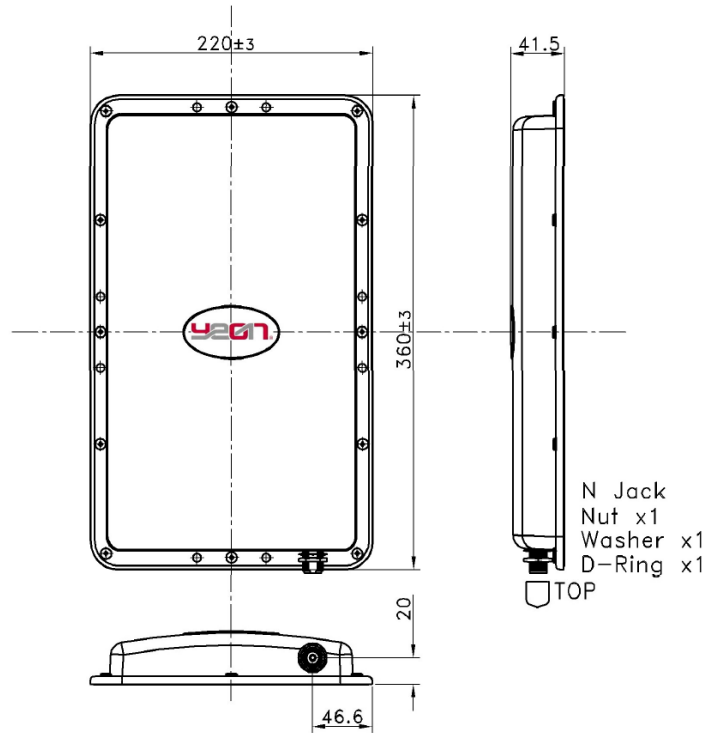
## RFID UHF Antenna Data Sheet

<b>Operating Frequency</b>	902~928MHz
<b>Impedance</b>	50Ω
<b>VSWR</b>	≤2.0
<b>Gain</b>	9.0 dBi
<b>Polarization</b>	Vertical
<b>Radiation Pattern</b>	Directional
<b>HPBW (3dB Beam Width)</b>	52°±5° @E-plane 74°±5° @H-plane
<b>Operating temperature</b>	-20°C ~ 65°C
<b>Rodome Material(UL)</b>	ABS
<b>Connector</b>	N Jack
<b>Water Proof</b>	IP65
<b>Drop Test</b>	2m Concord
<b>Dimensions</b>	360x220x41.5mm
<b>Weight</b>	944.5g
<b>Rodome Material</b>	ABS



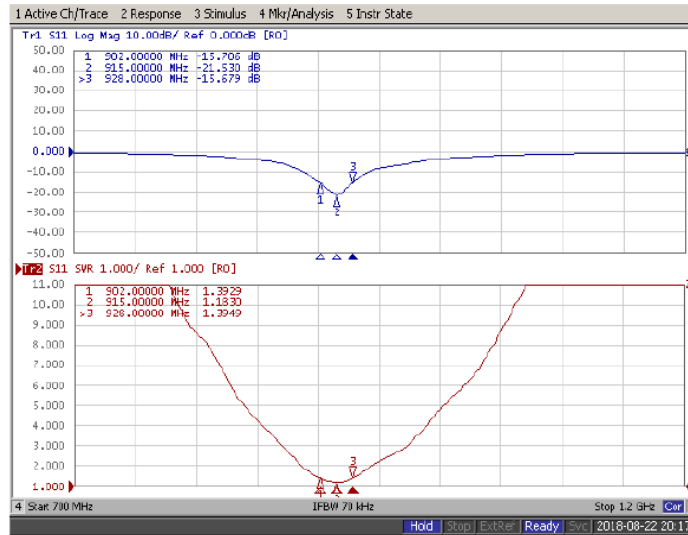


## Antenna Drawing



## V.S.W.R / Return Loss

Return Loss



V.S.W.R.

## Radiation Pattern

