



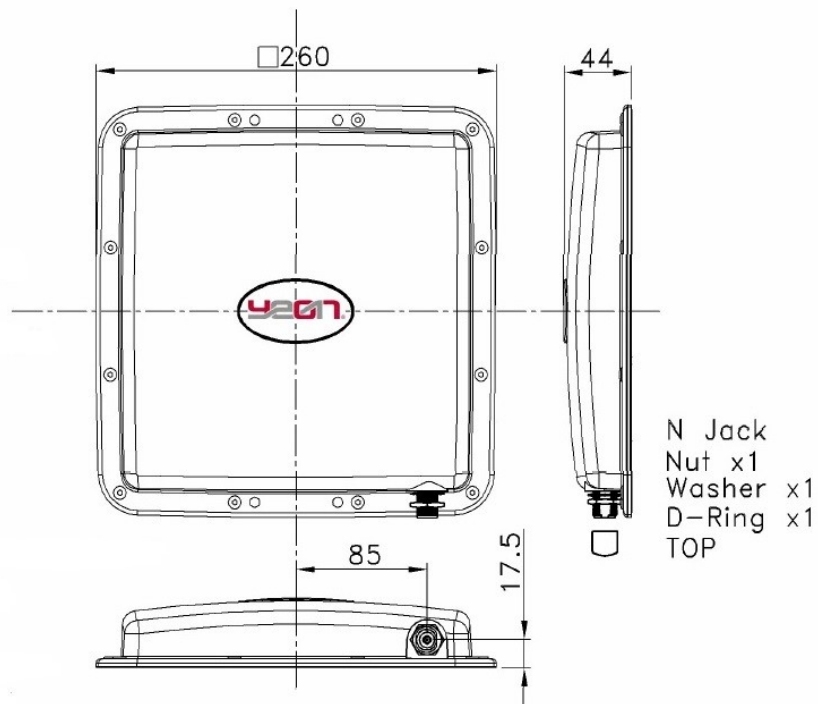
RFID UHF Antenna Data Sheet

Operating Frequency	902~928MHz
Impedance	50Ω
VSWR	≤2.0
Gain	8.5 dBic
Polarization	Right Hand, Circular
Radiation Pattern	Directional
Beam Width	68°±5° @E-plane , 64°±5° @H-plane
Operating temperature	-20°C ~ 65°C
Connector	N Jack
Dimensions	260x260x44mm
Water Proof	IP65
Weight	882g
Radome Material	ABS



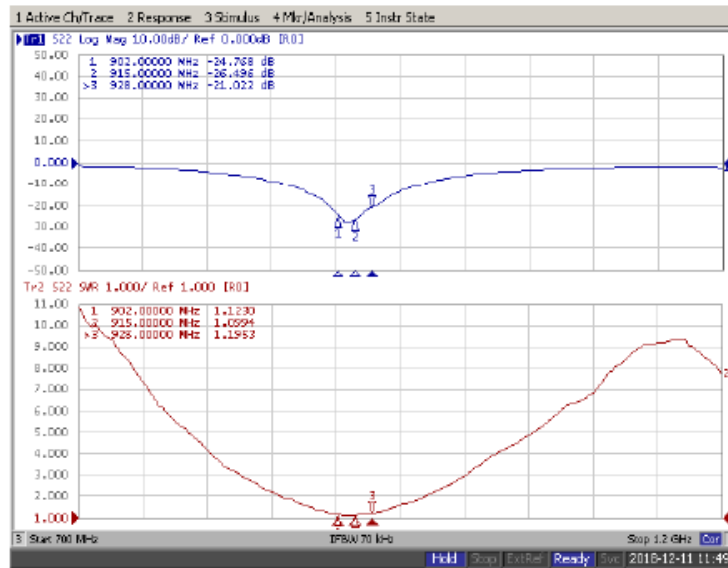


Antenna Drawing



V.S.W.R / Return Loss

Return Loss



V.S.W.R.

Radiation Pattern

