



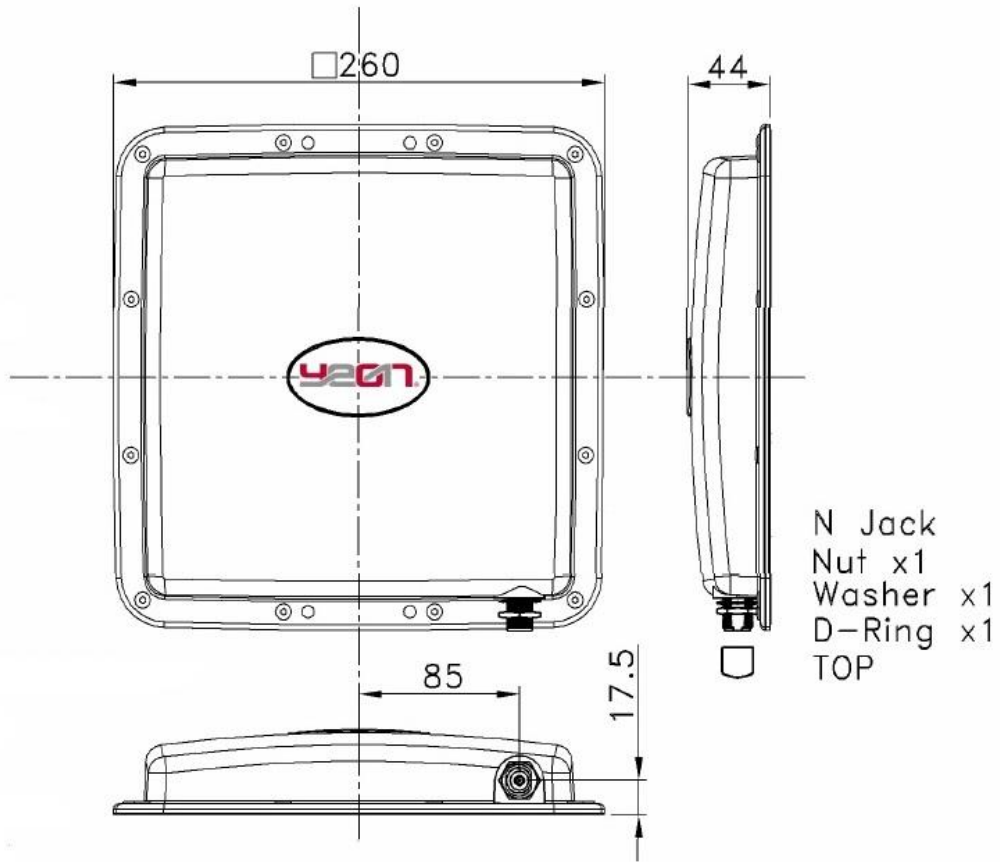
RFID UHF Antenna Data Sheet

Operating Frequency	865~870MHz
Impedance	50Ω
VSWR	≤2.0
Gain	8.5 dBic
Polarization	Right Hand, Circular
Front/Back Ratio	15dB
Radiation Pattern	Omni
HPBW (3dB Beam Width)	68° @E-plane , 64° @H-plane
Operating temperature	-20°C ~ 65°C
Connector	N Jack
Dimensions	260x260x44mm
Water Proof	IP65
Weight	858 g





Antenna Drawing



Radiation Pattern @866MHz

